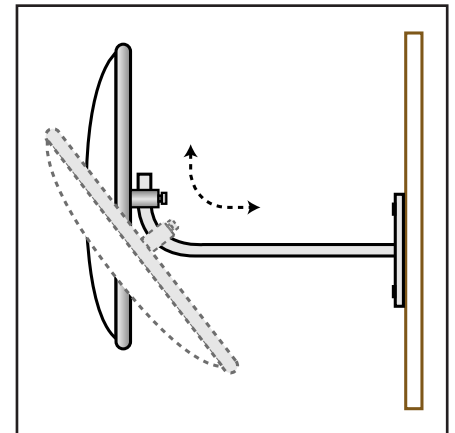
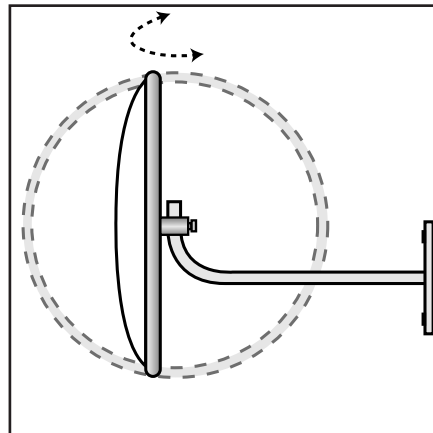
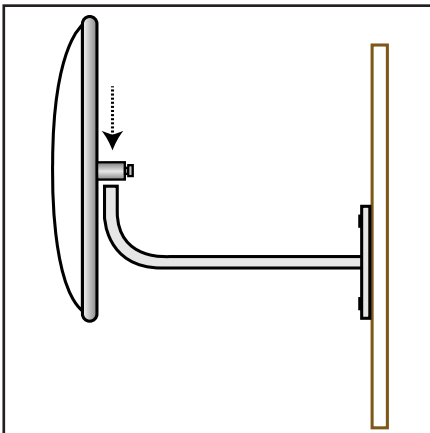
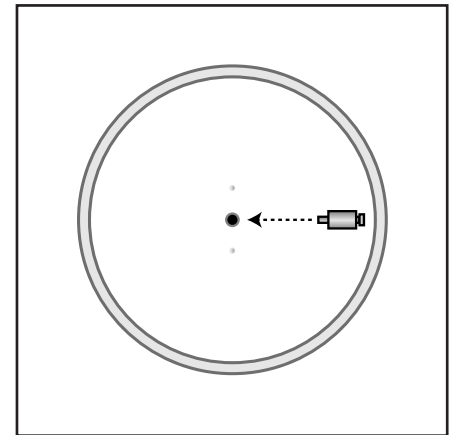
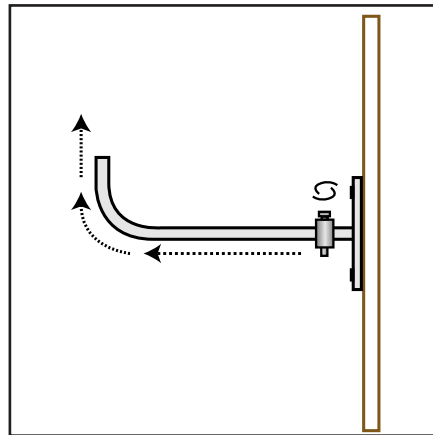
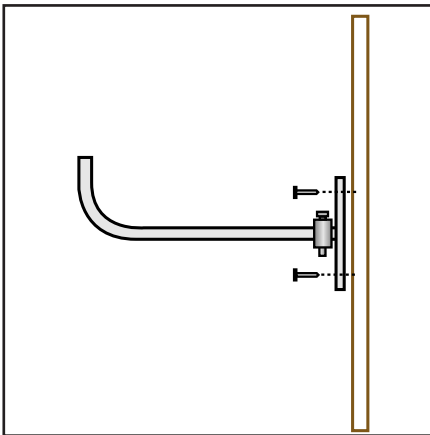


GARAGE MIRROR INSTALLATION GUIDE

1. Decide the appropriate place to site the mirror to give maximum vision.
2. Fix J-Bracket to wall or ceiling using suitable mounting hardware (ie: screws, bolts). Allowing enough room to get the mirror on to the J-Bracket.
3. Unscrew the adaptor from the J-Bracket. Thread the adaptor into the back of the mirror.
4. Peel protective film off around the immediate edge of the mirror.
5. Slide the adaptor and mirror over the J-Bracket and adjust mirror to the desired position.
6. Tighten the locking bolt on the adaptor securely.



TRAFFIC MIRRORS ONLINE

3 Bert Dr, Unit 10 - West Bridgewater
MA 02379 - United States

contactus@trafficmirror.com
www.trafficmirror.com

781-344-8459

