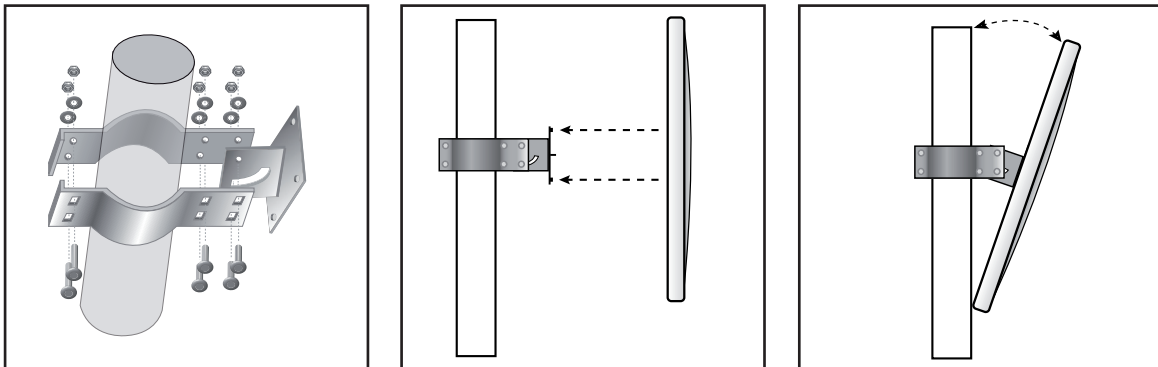


MOUNTING THE MIRROR TO A 3" POLE:

1. Decide the appropriate place to site the mirror on 3" pole.
2. Fix clamp and mirror mount assembly to the pole.
3. Make sure adjustment slot is to the bottom.
4. Fix the mirror to the clamp bracket.
5. Once the desired position has been found, tighten the bolts and nuts.
6. Remove protective film from the mirror face.



Pole Installation - See Page 2. ↓

TRAFFIC MIRRORS ONLINE

3 Bert Dr, Unit 10 - West Bridgewater
MA 02379 - United States

contactus@trafficmirror.com
www.trafficmirror.com

781-344-8459

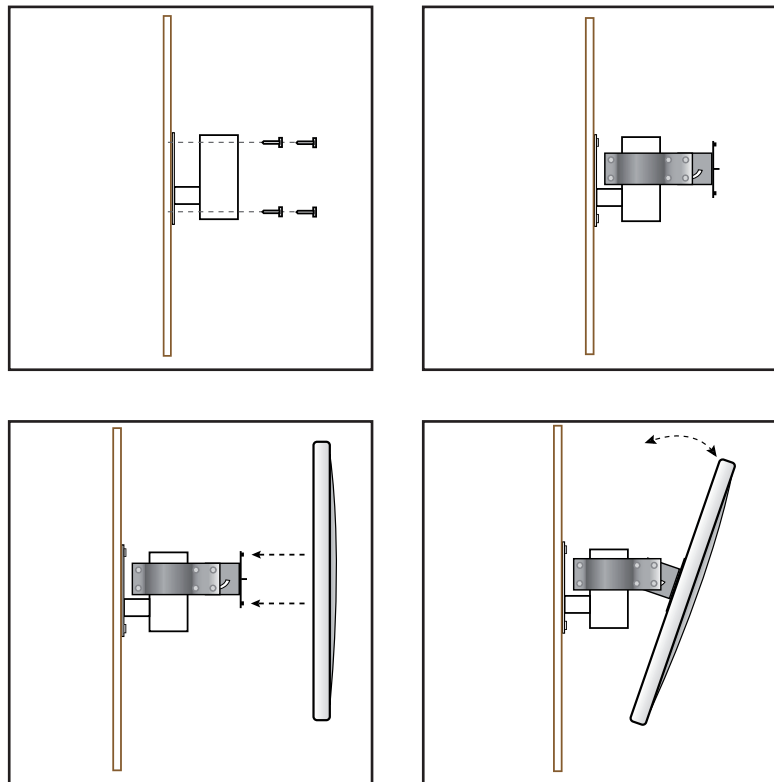


REFLECTIVE SAFETY TRAFFIC MIRROR INSTALLATION GUIDE

MOUNTING THE MIRROR TO A WALL OR FLAT POST:

Wall Mounting Adaptors are not included with the Reflective Safety Traffic Mirror Range but are available to be purchased separately.

1. Decide the appropriate place to site the mirror (on a flat surface) and mount the Wall Mounting Adaptor using suitable hardware.
2. Fix the clamp and mirror mount assembly to the Wall Mounting Adaptor making sure the slot is to the bottom.
3. Fix the mirror face to the clamp bracket.
4. Once the desired position has been found, tighten the bolts and nuts.
5. Remove the protective film from the mirror face.



TRAFFIC MIRRORS ONLINE

3 Bert Dr, Unit 10 - West Bridgewater
MA 02379 - United States

contactus@trafficmirror.com
www.trafficmirror.com

781-344-8459

