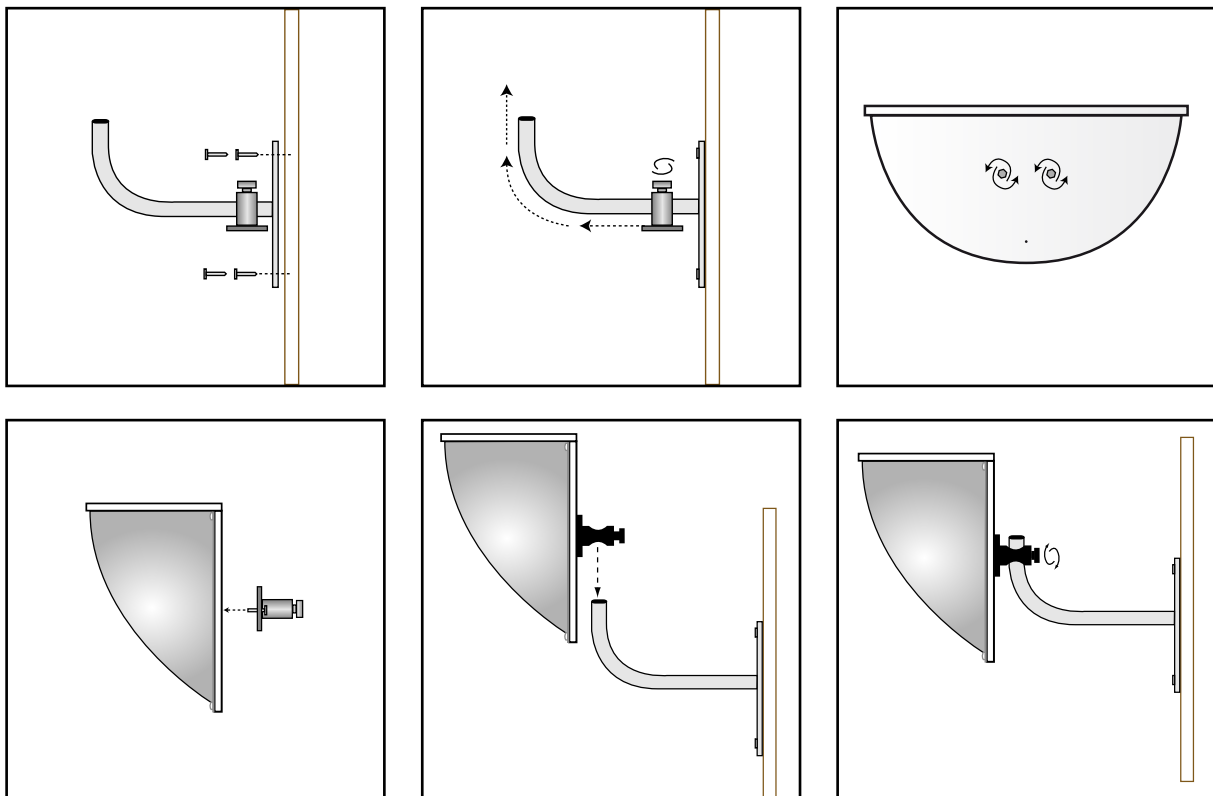


TWO-WAY DRIVEWAY MIRROR INSTALLATION GUIDE

MOUNTING THE MIRROR TO A FLAT WALL OR POST:

1. Decide the appropriate place to site the mirror to give maximum vision.
2. Fix J-Bracket to wall using suitable hardware, allowing enough room to get the mirror onto the J-Bracket.
3. Slide and remove the adaptor plate from the base of the J-Bracket and set aside.
4. Unscrew the bolts in the back of the half dome.
5. Thread the bolts through the adaptor plate holes and screw into the the half dome back so it is securely attached.
6. Slide the complete half dome unit with adaptor over the J-Bracket and adjust to the the desired angle.
7. Once you have found the desired angle of the mirror face, tighten the locking bolt on the adaptor securely.
8. Now the job is complete, totally remove the protective film from the face.



Pole Installation - See Page 2. ↓

TRAFFIC MIRRORS ONLINE

3 Bert Dr, Unit 10 - West Bridgewater
MA 02379 - United States

contactus@trafficmirror.com
www.trafficmirror.com

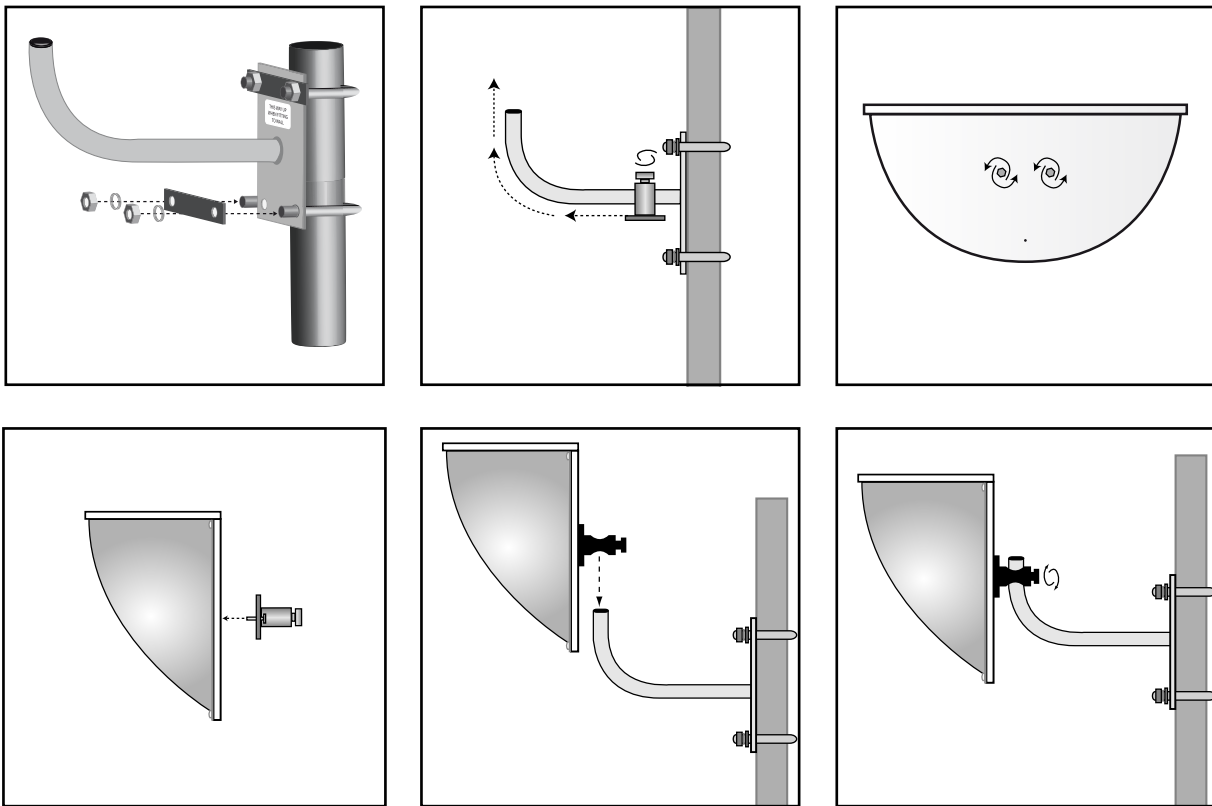
781-344-8459



TWO-WAY DRIVEWAY MIRROR INSTALLATION GUIDE

MOUNTING THE MIRROR TO A 3" POLE WITH U-BOLTS:

1. Choose a 3" Round pole to attach the U-Bolts to.
2. Thread the U-Bolts through one side of the J-Bracket and then through both sides of the U-Bolt Flat Plate.
3. Thread the Washer and Nut onto the U-Bolts and tighten.
4. Slide and remove the adaptor plate from the base of the J-Bracket and set aside.
5. Unscrew the bolts in the back of the half dome.
6. Thread the bolts through the adaptor plate holes and screw into the the half dome back so it is securely attached.
7. Slide the complete half dome unit with adaptor over the J-Bracket and adjust to the the desired angle.
8. Once you have found the desired angle of the mirror face, tighten the locking bolt on the adaptor securely.
9. Now the job is complete, totally remove the protective film from the face.



TRAFFIC MIRRORS ONLINE

3 Bert Dr, Unit 10 - West Bridgewater
MA 02379 - United States

contactus@trafficmirror.com
www.trafficmirror.com

781-344-8459

