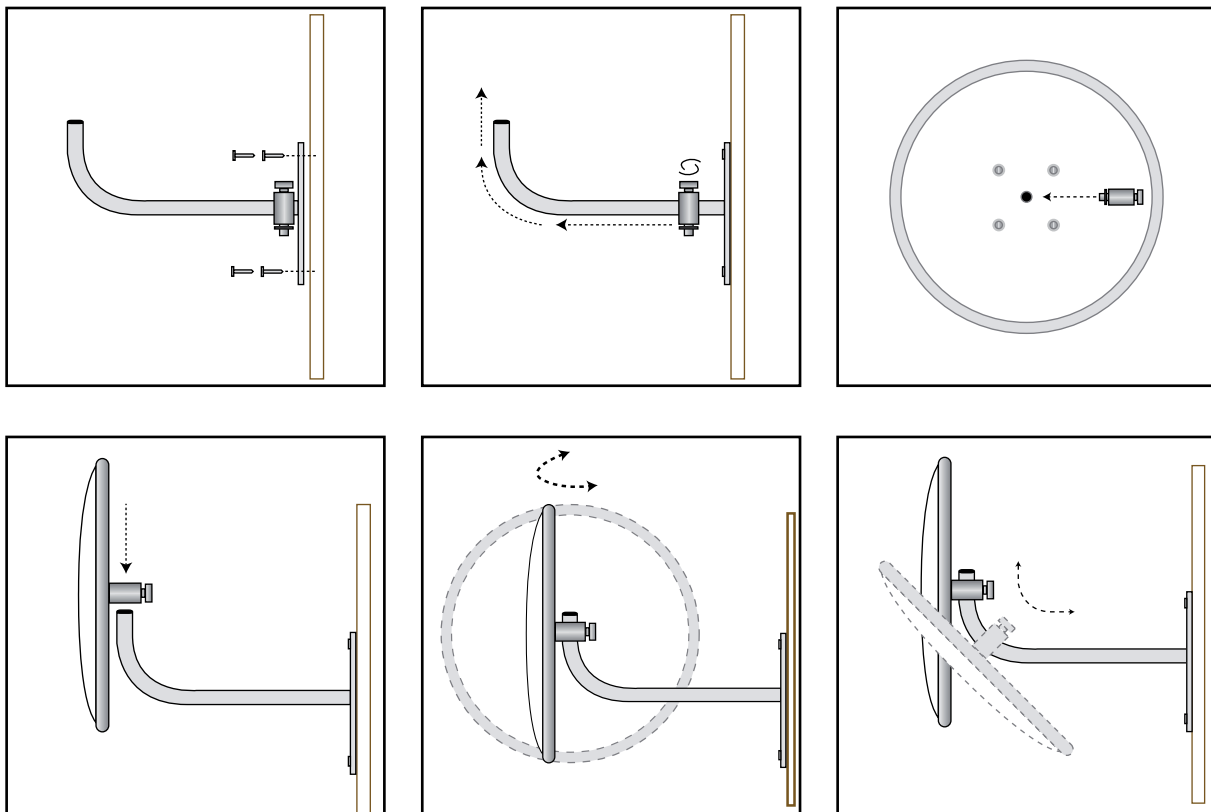


**UNBREAKABLE TRAFFIC MIRROR INSTALLATION GUIDE**

**MOUNTING THE MIRROR TO A FLAT WALL OR POST:**

1. Decide the appropriate place to site the mirror to give maximum vision.
2. Fix J-Bracket to wall or ceiling using suitable fixing hardware (ie: screws, bolts). Allowing enough room to get the mirror on to the J-Bracket.
3. Thread adaptor into the back of the mirror.
4. Slide the adaptor and mirror over the J-Bracket and adjust mirror to the desired position.
5. Tighten the locking bolt on the adaptor securely.



Pole Installation - See Page 2. ↓

**TRAFFIC MIRRORS ONLINE**

3 Bert Dr, Unit 10 - West Bridgewater  
MA 02379 - United States

contactus@trafficmirror.com  
www.trafficmirror.com

781-344-8459



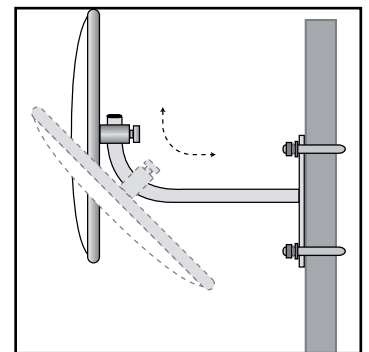
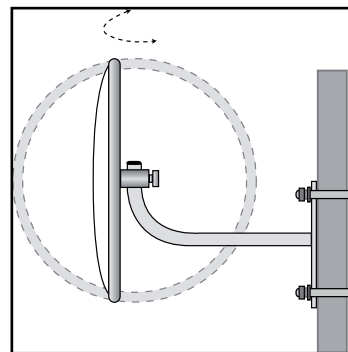
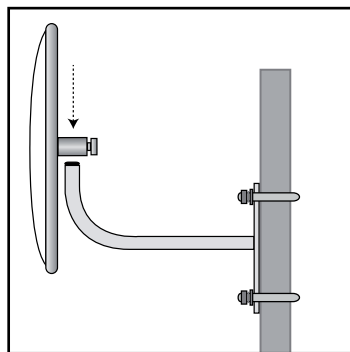
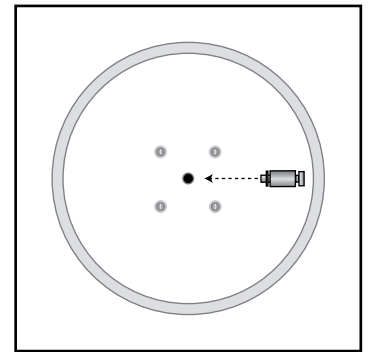
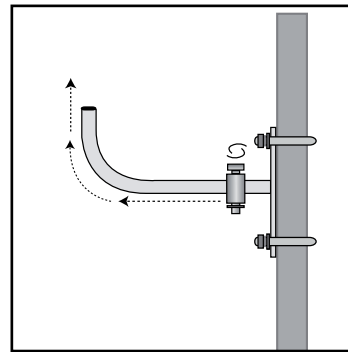
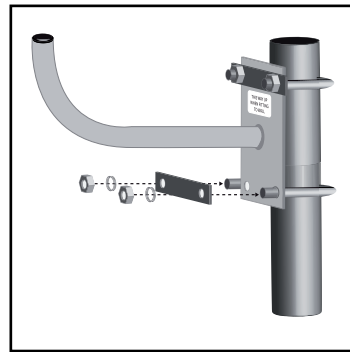
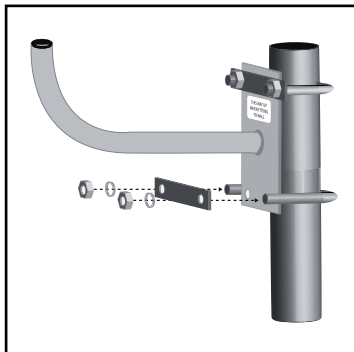
**UNBREAKABLE TRAFFIC MIRROR INSTALLATION GUIDE**

**MOUNTING THE MIRROR TO A 3" POLE WITH U-BOLTS:**

1. Choose a 3" Round pole to attach the U-Bolts to.
2. For 24" diameter mirrors:  
Thread the U-Bolts around the J-Bracket and through the U-Bolt Flat Plate.
3. For 32" and 40" diameter mirrors:  
Thread the U-Bolts through one side of the J-Bracket and then through both sides of the U-Bolt Flat Plate.
4. Thread the Washer and Nut onto the U-Bolts and tighten.
5. Thread adaptor into the back of the mirror.
6. Slide the adaptor and mirror over the J-Bracket and adjust mirror to the desired position.
7. Tighten locking bolt on adaptor securely.

24" mirrors

32" and 40" mirrors



**TRAFFIC MIRRORS ONLINE**

3 Bert Dr. Unit 10 - West Bridgewater  
MA 02379 - United States

contactus@trafficmirror.com  
www.trafficmirror.com

781-344-8459

